

Döşemenler AS, a family company established in 1978, is well known in Turkey. With experienced workers, it is producing machinery, suitable for every soil conditions and different tractor powers, by trained staff according to customers needs, first designed in 3d programms, then going through a carefull quality control.

Our company is one of the leader suppliers of main agricultural machinery producers in our land.

Our vision is to create long term cooperations with continious customer satisfaction.

Our priority is manufacturing in high standarts and to keep quality control in highest level within company.

As your solution partner in soil preparation, our goals are following technology closely, developing our products according the customer needs, offering our machinery in right time with right options to our farmers.



DÖŞEMENLER ZİRAAT MAKİNALARI A.Ş.

Address: Çavuş Mah. Eski Balıkesir Yolu Küme Evler No:10

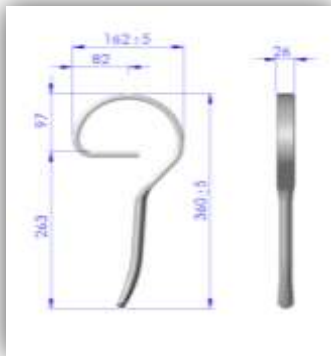
10440 Bigadiç – Balıkesir / TURKEY **Tel:** +90 266 626 10 50 (4 line) **Fax:** +90 266 626 10 54 **www.dosemen.com**

sencer@dosemen.com

info@dosemen.com



01.004



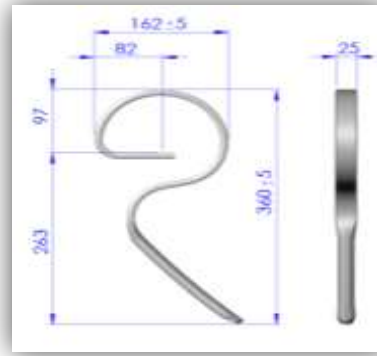
03.004



07.003



01.003



Code	Description	Dimensions	Weight
01.004	Front gate tine without point	25x10	1,12 Kg.
01.003	Rear gate tine without point	25x10	1,28 Kg.
03.004	Clamp for 45x10 frame	40x5	0,10 Kg.
07.003	Bolt for clamp	M10x35	0,024 Kg.





01.009 L SOL



03.003



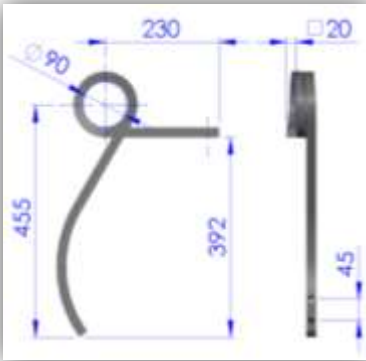
03.011



03.011A



01.009 R SAĞ



07.001



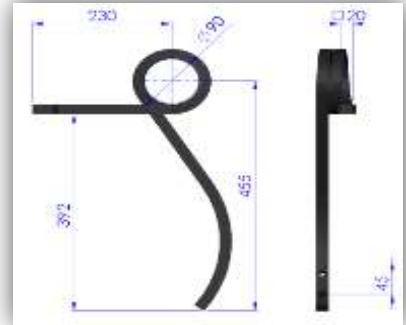
07.004



06.006



03.003A



Code	Description	Dimensions	Weight
01.009 L	Double coil tine without point left	20x20	4,00 Kg.
01.009 R	Double coil tine without point right	20x20	4,00 Kg.
03.003	Clamp for 60x15 frame	60x8	0,48 Kg.
03.003A	Clamp for 50x20 frame	60x8	0,46 Kg.
03.011	Clamp for 60 mm. frame	6 mm	0,28 Kg.
03.011A	Clamp for 50 mm.frame	6 mm	0,24 Kg.
06.006	Reversible Point	45x7	0,50 Kg.
07.004	Bolt for Point	M10x45	0,04 Kg.
07.001	Bolt for clamp	M12x65	0,08 Kg.





01.008 L SOL



03.003



03.011



03.011A



03.003A



01.008 R SAĞ



07.001



07.004



06.001



06.003

Code	Description	Dimensions	Weight
01.008 L	Double coil tine without point left	20x20	4,14 Kg.
01.008 R	Double coil tine without point right	20x20	4,14 Kg.
03.003	Clamp for 60x15 frame	60x8	0,48 Kg.
03.003A	Clamp for 50x20 frame	60x8	0,46 Kg.
03.011	Clamp for 60 mm. frame	6 mm	0,28 Kg.
03.011A	Clamp for 50 mm. frame	6 mm	0,24 Kg.
06.001	Reversible Point	40x6	0,34 Kg.
06.003	Ducktfoot Point	95x6	0,40 Kg.
07.004	Bolt for Point	M10x45	0,04 Kg.
07.001	Bolt for clamp	M12x65	0,08 Kg.





01.006



06.003



03.005



03.005A



03.014



03.010



03.010A



01.007



06.001



07.002



07.001

Code	Description	Dimensions	Weight
01.006	S tine without point	32x12	3,2 Kg.
01.007	Helper	32x12	1,84 Kg.
03.005	Clamp for 60x15 frame	60x8	0,48 Kg.
03.005A	Clamp for 50x20 frame	60x8	0,42 Kg.
03.014	Clamp for 50 mm. square frame	50x8	0,44 Kg.
03.010	Clamp for 60 mm frame	6mm	0,28 Kg.
03.010A	Clamp for 50 mm frame	6mm	0,26 Kg.
06.001	Reversible Point	40x6	0,34 Kg.
06.003	Ducktfoot Point	95x6	0,40 Kg.
07.001	Bolt for clamp	M12x70	0,08 Kg.
07.002	Bolt for Point	M10x35	0,06 Kg.





01.014



03.005



03.005A



03.014



03.010



03.010A



01.013



06.001



06.003



07.002



07.001

Code	Description	Dimensions	Weight
01.014	S tine without point	32x12	3,20 Kg.
01.013	Helper	32x12	1,82 Kg.
03.005	Clamp for 60x15 helper	60x8	0,48 Kg.
03.005A	Clamp for 50x20 helper	60x8	0,42 Kg.
03.014	Clamp for 50 mm. Square frame	50x8	0,44 Kg.
03.010	Clamp for 60 mm frame	6mm	0,28 Kg.
03.010A	Clamp for 50 mm frame	6mm	0,26 Kg.
06.001	Reversible Point	40x6	0,34 Kg.
06.003	Ducktfoot Point	95x6	0,40 Kg.
07.001	Bolt for clamp	M12x70	0,08 Kg.
07.002	Bolt for Point	M10x35	0,06 Kg.





01.002



03.005



01.005



03.005A



03.007



06.001



03.010A



06.002



03.010



06.003



07.002



07.001

Code	Description	Dimensions	Weight
01.002	S tine without point	32x10	2,60 Kg.
01.005	Helper with eye	32x10	1,50 Kg.
03.005	Clamp for 60x15 helper	60x8	0,48 Kg.
03.005A	Clamp for 50x20 helper	60x8	0,42 Kg.
03.007	Clamp for 40 mm square frame	60x8	0,38 Kg.
03.010	Clamp for 60 mm frame	6mm	0,28 Kg.
03.010A	Clamp for 50 mm frame	6mm	0,26 Kg.
06.001	Reversible Point	40x6	0,34 Kg.
06.002	Duckfoot Point	150x4	0,44 Kg.
06.003	Duckfoot Point	95x6	0,40 Kg.
07.001	Bolt for clamp	M12x70	0,08 Kg.
07.002	Bolt for Point	M10x35	0,06 Kg.





Code	Description	Dimensions	Weight
01.012A	S tine without point double hole	45x12	4,92 Kg.
01.022	Helper with eye	45x10	2,52 Kg.
03.008	Clamp for 60 mm. square frame	80x10	0,92 Kg.
03.008A	Clamp for 50 mm. square frame	80x10	1,00 Kg.
06.005	Duckfoot Point	250x6	1,06 Kg.
06.004	Reversible Point	60x8	0,86 Kg.
07.004	Bolt for Point	M10x45	0,04 Kg.
07.007	Bolt for clamp	M12x110	0,125 Kg.





Code	Description	Dimensions	Weight
01.012	<i>S tine without point</i>	45x12	4,86 Kg.
01.022	<i>Helper with eye</i>	45x10	2,52 Kg.
03.008	<i>Clamp for 60 mm. frame</i>	80x10	0,92 Kg.
03.008A	<i>Clamp for 50 mm. frame</i>	80x10	1,00 Kg.
03.015	<i>Clamp for 50 mm. frame</i>	8 mm	1,00 Kg.
06.007	<i>Point</i>	60x8	0,70 Kg.
06.002	<i>Duckfoot Point</i>	150x4	0,44 Kg.
07.004	<i>Bolt for Point</i>	M10x45	0,04 Kg.
07.007	<i>Bolt for clamp</i>	M12x110	0,125 Kg.





01.023



07.008



07.009



03.013



06.004



06.005

Code	Description	Dimensions	Weight
01.023	S type tine	50x23	9,14 Kg.
03.013	Clamp for 80 mm.sq. frame	100x12	2,40 Kg.
06.005	Duckfoot Point	250x6	1,06 Kg.
06.004	Reversible Point	60x8	0,86 Kg.
07.008	Bolt for clamp	M14x130	0,41 Kg.
07.009	Bolt for clamp	M20x130	0,9 Kg.





01.021



03.012



06.010



07.005

Code	Description	Dimensions	Weight
01.021	S tine without point	65x12	7,50 Kg.
03.012	Clamp for 70 mm. frame	8 mm	1,44 Kg.
06.010	Point	60x8	0,90 Kg.
07.005	Bolt for Point	11/65	0,08 Kg.
07.007	Bolt for clamp	M12x120	0,36 Kg.





01.020



03.006



06.001



03.007



06.002



07.002



06.003



07.001

Code	Description	Dimensions	Weight
01.020	S tine without point	32x12	3,20 Kg.
03.006	Clamp for 60x15 frame	60x8	0,42 Kg.
03.007	Clamp for 40 mm square frame	60x8	0,35 Kg.
06.001	Reversible Point	40x6	0,34 Kg.
06.002	Duckfoot Point	150x4	0,44 Kg.
06.003	Duckfoot Point	95x6	0,40 Kg.
07.001	Bolt for clamp	M12x70	0,08 Kg.
07.002	Bolt for Point	M10x35	0,06 Kg.





01.019



03.005



01.024



03.005A



03.014



06.003



06.001



03.010



07.002



07.001

Code	Description	Dimensions	Weight
01.019	S tine without point	32x12	3,28 Kg.
01.024	Helper	32x12	1,86 Kg.
03.005	Clamp for 60x15 helper	60x8	0,48 Kg.
03.005A	Clamp for 50x20 helper	60x8	0,42 Kg.
03.014	Clamp for 50 mm. frame	60x8	0,44 Kg.
03.010	Clamp for 60 frame	6mm	0,28 Kg.
06.001	Reversible Point	40x6	0,34 Kg.
06.003	Ducktfoot Point	95x6	0,40 Kg.
07.001	Bolt for clamp	M12x70	0,08 Kg.
07.002	Bolt for Point	M10x35	0,06 Kg.





01.026



03.015



07.011



06.010



07.005

Code	Description	Dimensions	Weight
01.026	S tine without point	70x12	8,62 Kg.
03.015	Clamp for 70 mm. frame	10mm	2,06 Kg.
06.010	Point	60x8	0,64 Kg.
07.005	Bolt for point	11/65	0,08 Kg.
07.011	Bolt for clamp	M12x120	0,12 Kg.





01.025



03.008



03.008A



06.011

Code	Description	Dimensions	Weight
01.025	S tine without point	45x12	3,90 Kg.
03.008	Clamp for 60 mm. frame	80x10	0,92 Kg.
03.008A	Clamp for 50 mm. frame	80x10	1,00 Kg.
06.011	Point	40X5x210	0,7 Kg.





01.017



03.014



03.006



03.007



06.012



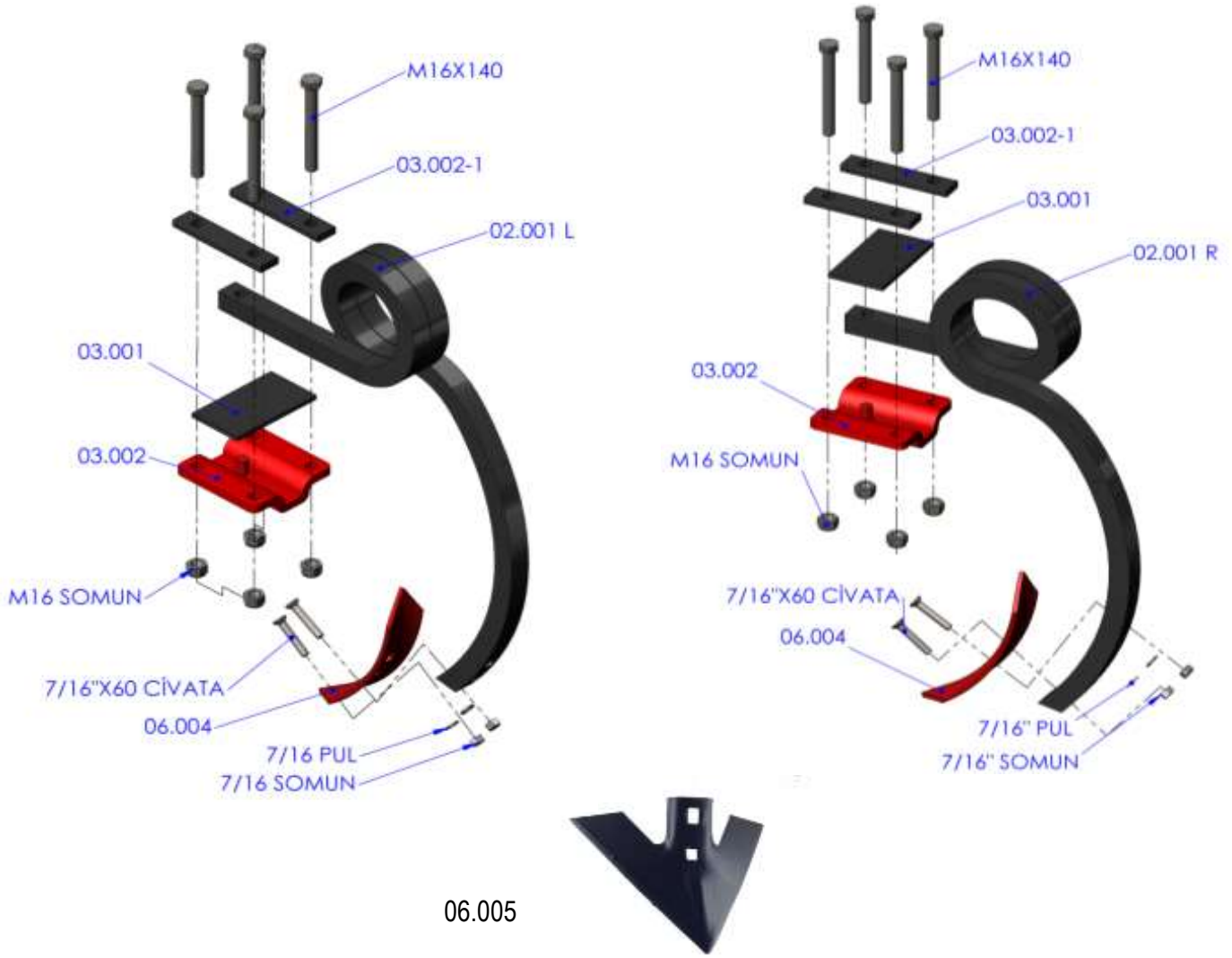
07.001



07.002

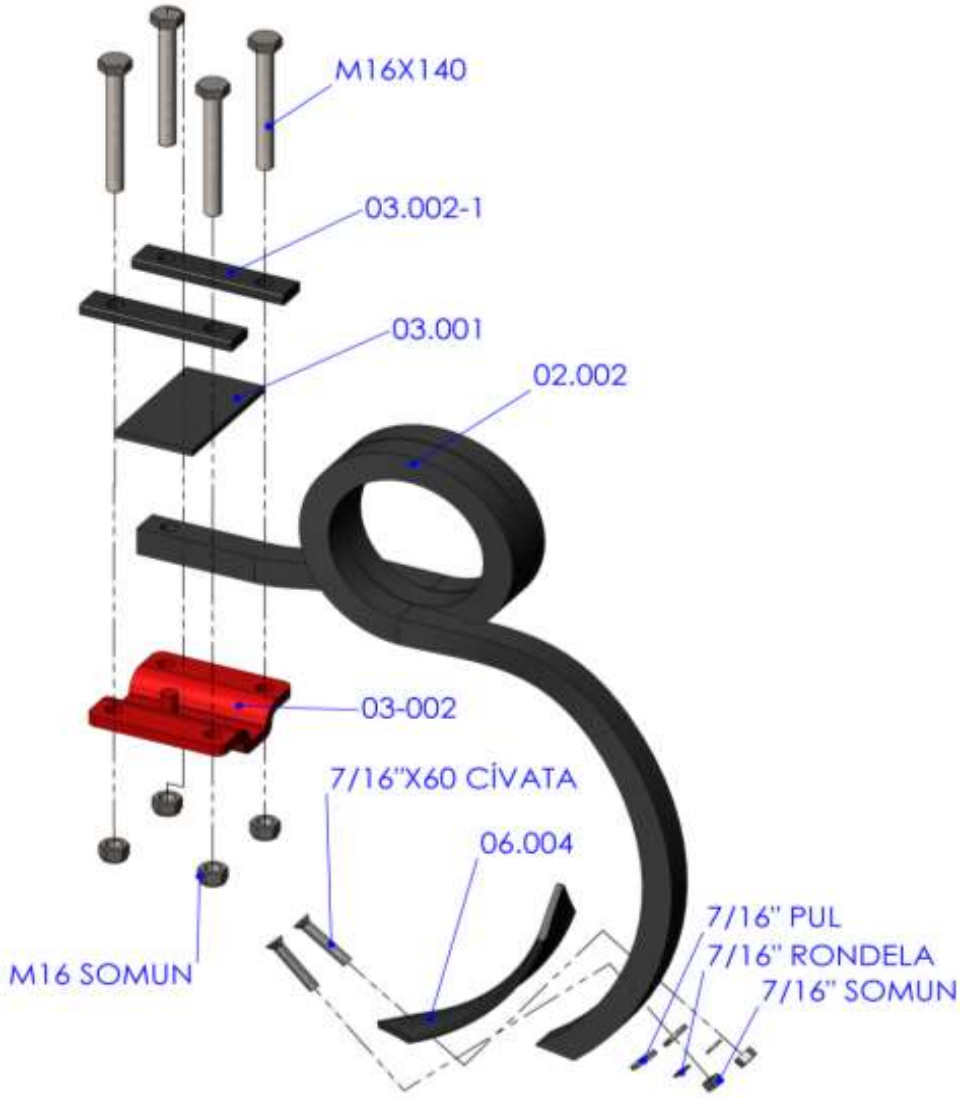
Code	Description	Dimensions	Weight
01.017	S tine without point	32x12	2,54 Kg.
03.006	Clamp for 60x15 mm. frame	60x8	0,42 Kg.
03.014	Clamp for 50 mm. frame	60x8	0,44 Kg.
03.007	Clamp for 40 mm square frame	60x8	0,38 Kg.
06.012	Point	40x6	0,36 Kg.
07.001	Bolt for clamp	M12x60	0,08 Kg.
07.002	Bolt for Point	M10x35	0,06 Kg.





Code	Description	Dimensions	Weight
02.001 L	Double coil tine without point left	30x30	12,36 Kg.
02.002 R	Double coil tine without point right	30x30	12,36 Kg.
03.002	Clamp for 80x80 tube frame	140x12	1,90 Kg.
03.001	Clamp part	32x12	0,70 Kg.
06.005	Duckfoot Point	250x6	1,06 Kg.
06.004	Reversible Point	60x8	0,86 Kg.
07.005	Bolt for Point	7/16x60	0,08 Kg.
07.006	Bolt for clamp	M16x140	0,26 Kg.





06.005

Code	Description	Dimensions	Weight
02.002	Double coil tine without point	30x30	13,80 Kg.
03.002	Clamp for 80x80 tube frame	140x12	1,90 Kg.
03.001	Clamp part	32x12	0,70 Kg.
06.005	Duckfoot Point	250x6	1,06 Kg.
06.004	Reversible Point	60x8	0,86 Kg.
07.005	Bolt for Point	11/65	0,08 Kg.
07.006	Bolt for clamp	M16x140	0,26 Kg.





02.003



03.001-2



07.005



06.005



06.004



07.006

Code	Description	Dimensions	Weight
02.003	Double coil tine without point	30x30	16,36 Kg.
03.002	Clamp for 80x80 tube	140x12	1,90 Kg.
03.001	Clamp for 80x80 tube	32x12	0,70 Kg.
06.005	Duckfoot Point	250x6	1,06 Kg.
06.004	Reversible Point	60x8	0,86 Kg.
07.005	Bolt for Point	7/16x60	0,08 Kg.
07.006	Bolt for clamp	M16x140	0,26 Kg.





Code	Description	Dimensions	Weight
05.002	20x20 x = 295 360 20x20 x = 420 <i>coil tine without point</i>	20x20 x =	3,50 Kg.
		20x20 x = 400	3,70 Kg.
		<i>Double</i>	3,90 Kg.
			4,00 Kg.
05.002 T	20x20 y = 295 360 20x20 y = 420	20x20 y =	0,85 Kg.
		20x20 y = 400	0,90 Kg.
		<i>Helper</i>	0,95 Kg.
			1,00 Kg.
05.007	20x20 <i>Short type</i>	20x20	3,18 Kg.
05.007T	20x20 <i>Short type helper</i>	20x20	Kg.





Code	Description	Dimensions	Weight
05.011	Double coil tine without point	20x20	3,84 Kg.
05.011T	Helper	20X20	0,74 Kg.
06.006	Reversible Point	45x7	0,50 Kg.
07.004	Bolt for Point	M10x45	0,04 Kg.





05.004 T



05.004



06.001



07.002

Code	Description	Dimensions	Weight
05.004	Track remover without point	32x12	2,00 Kg.
05.004T	Helper	32x12	1,00 Kg.
07.002	Bolt for point	M10x35	0,06 Kg.
06.001	Reversible Point	40x6	0,34 Kg.





05.001 T



05.001



06.001



07.002

Code	Description	Dimensions	Weight
05.001	Track remover without point	32x12	1,98 Kg.
05.001T	Helper	32x12	0,88 Kg.
07.002	Bolt for point	M10x35	0,06 Kg.
06.001	Reversible Point	40x6	0,34 Kg.





05.008 T



05.008



06.001



07.002

Code	Description	Dimensions	Weight
05.008	Track remover without point	32x12	2,28 Kg.
05.008T	Helper	32x12	1,34 Kg.
07.002	Bolt for point	M10x35	0,04 Kg.
06.001	Reversible Point	40x6	0,34 Kg.





05.009 T



05.009



06.001



07.002

Code	Description	Dimensions	Weight
05.009	Track remover without point	32x12	1,98 Kg.
05.009T	Helper	32x12	1,14 Kg.
07.002	Bolt for point	M10x35	0,06 Kg.
06.001	Reversible Point	40x6	0,34 Kg.





01.011



03.009



06.004



06.005

Code	Description	Dimensions	Weight
01.011	C type tine	55x25	11,30 Kg.
03.009	Clamp for 100x100 tube frame	45x12	16,560 Kg.
06.005	Duckfoot Point	250x6	1,06 Kg.
06.004	Reversible Point	60x8	0,86 Kg.





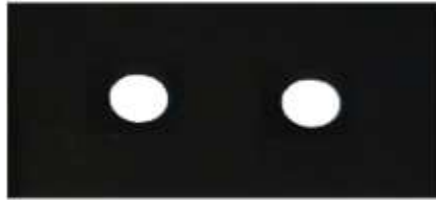
04.001 R



04.001 L



04.002



04.004

Code	Description	Dimensions	Weight
04.001 L-R	rototiller blade left right	50x8	1,08 Kg.
04.002	stubble grinder blade	60x7	1,06 Kg.
04.004	feed grinder blade	60x7	0,36 Kg.





04.010



04.008

Code	Description	Dimensions	Weight
04.010	stone collector support tine	45x10	4,06 Kg.
04.008	stone collector fork spring	Ø17 mm	1,72 Kg.





04.009



04.009T

Delik merkezleri 75 ve 70 mm olmak üzere iki modeli vardır.

Code	Description	Dimensions	Weight
04.009	leaf spring for seeder wheels	50x13	4,44 Kg.
04.009T	leaf spring's helper for seeder wheels	50x13	1,90 Kg.





05.003



05.012T



05.012

Code	Description	Dimensions	Weight
05.003	20x20 seeder tine	20x20	4,04 Kg.
05.012	20x20 seeder tine	20x20	3,90 Kg.
05.012 T	20x20 seeder tine support	20x20	1,08 Kg.





04.012 R



04.012 L



06.013

06.012



01.018

Code	Description	Dimensions	Weight
04.012 R	hay tine right	Ø16 mm	2,86 Kg.
04.012 L	hay tine left	Ø16 mm	2,86 Kg.
01.018	Stubble cultivator tine	60x25	10 Kg.
06.012	point		4,14 Kg.
06.013	wings type point	110x7	3,2 Kg.





01.016R



01.016L



01.015

Code	Description	Dimensions	Weight
01.015	20x20 baton type tine	20x20	2,22 Kg.
01.016 L	20x20 baton type tine left	20x20	2,48 Kg.
01.016 R	20x20 baton type tine right	20x20	2,48 Kg.





04.011



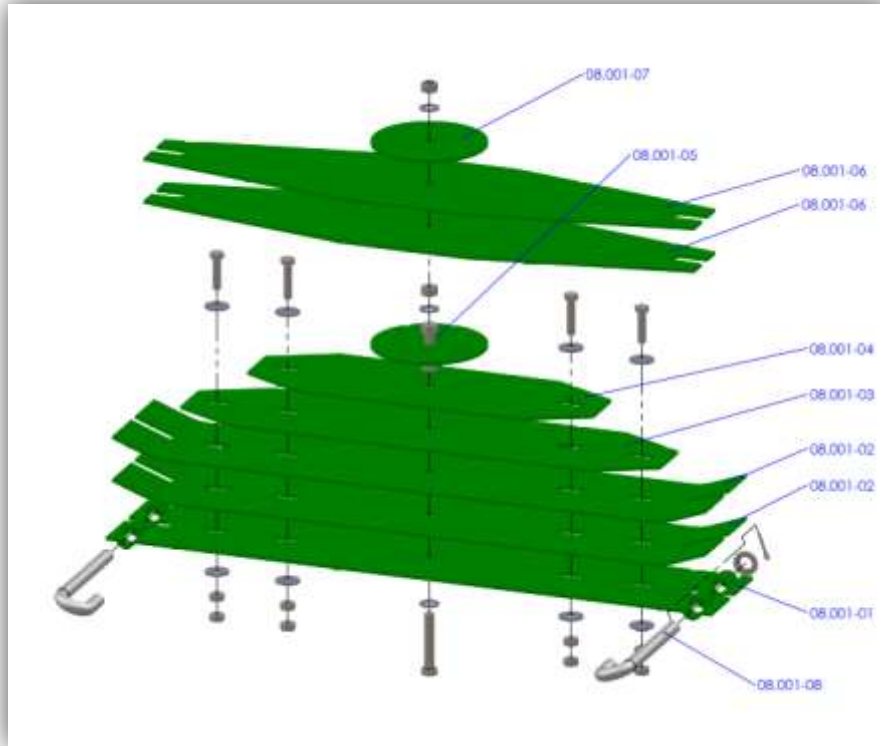
04.013



04.014

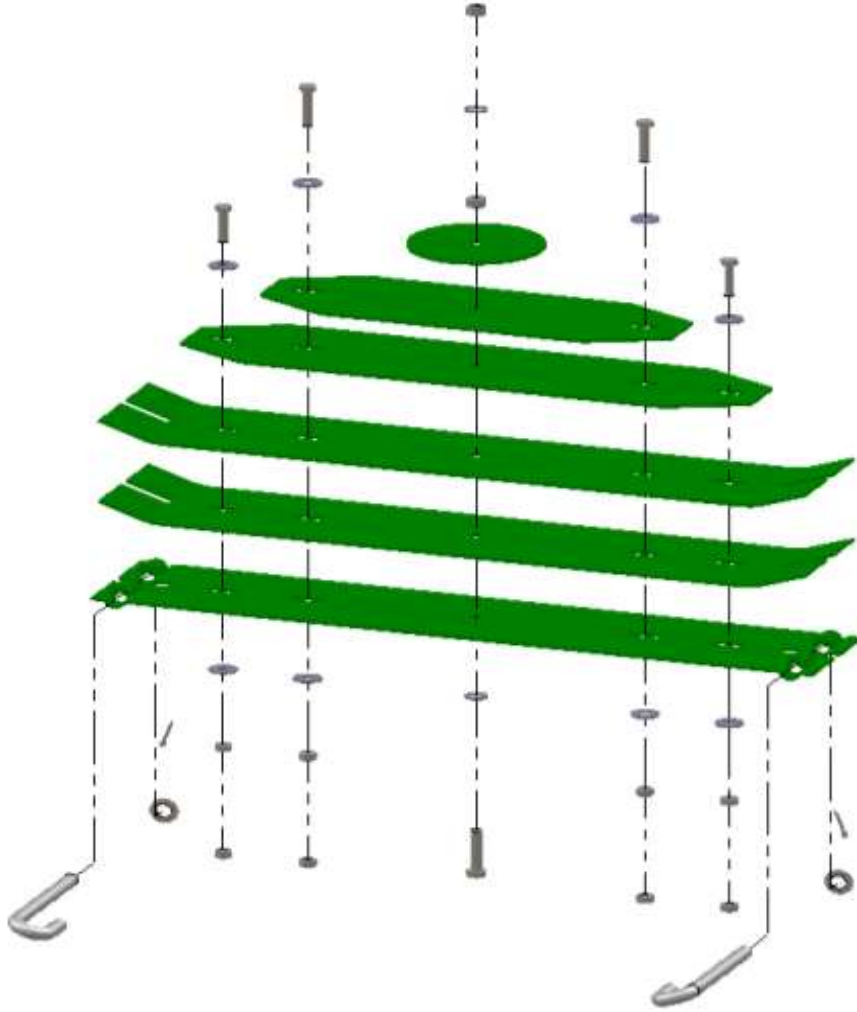
Code	Description	Dimensions	Weight
04.011	<i>Packer spring</i>	60x8	1,50 Kg.
04.013	<i>Packer intermediate spring</i>	60x9	3,88 Kg.
04.014	<i>Packer intermediate spring's point</i>	45X10	0,63 Kg.





Code	Description	Dimensions	Weight
08.001	Cultivator leaf spring heavy type	4 mm	22,1

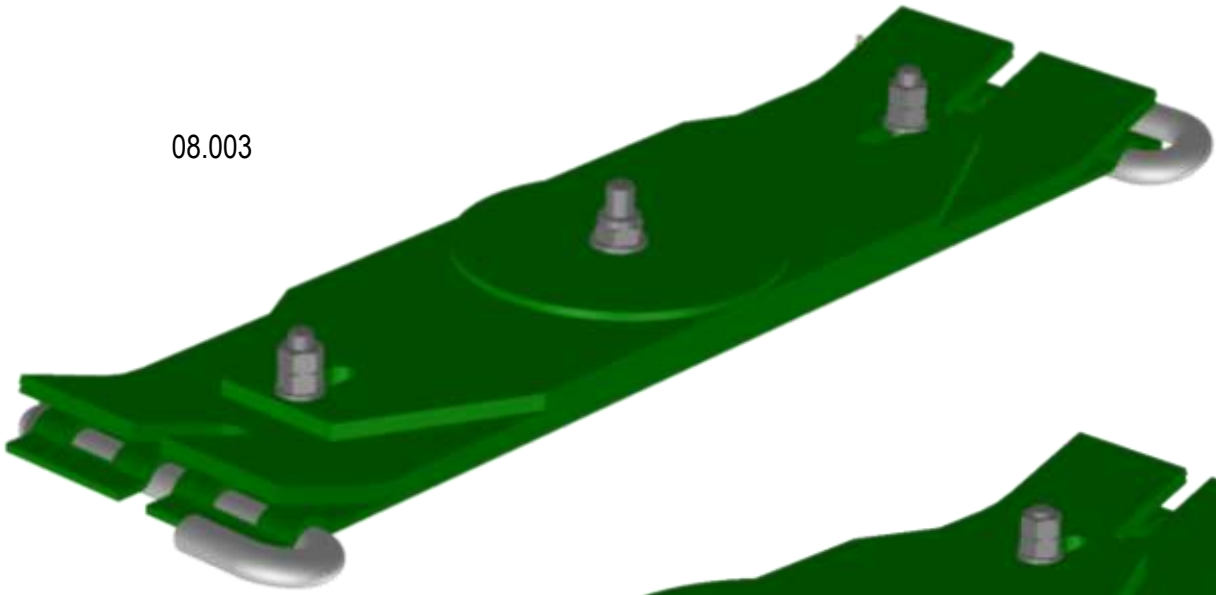




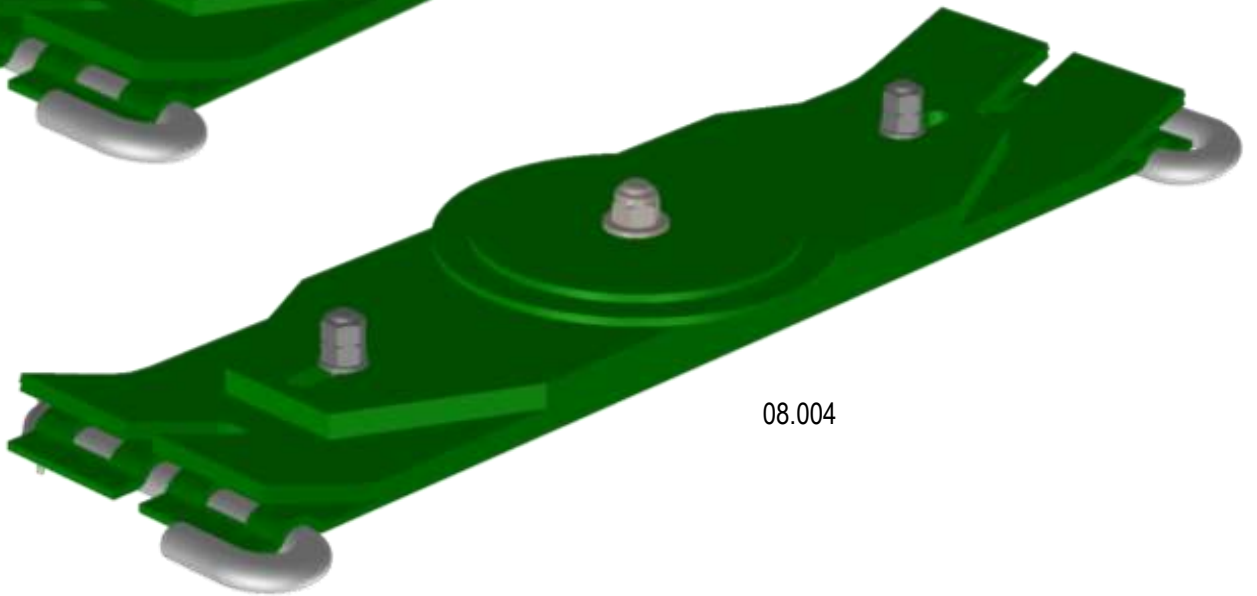
Code	Description	Dimensions	Weight
08.002	Cultivator leaf spring light type	4 mm.	15,6 Kg.



08.003



08.004



Code	Description	Dimensions	Weight
08.003	Cultivator leaf spring light type	4 mm	11,5 kg.
08.004	Cultivator leaf spring light type	4 mm	14,2 kg.





01.027



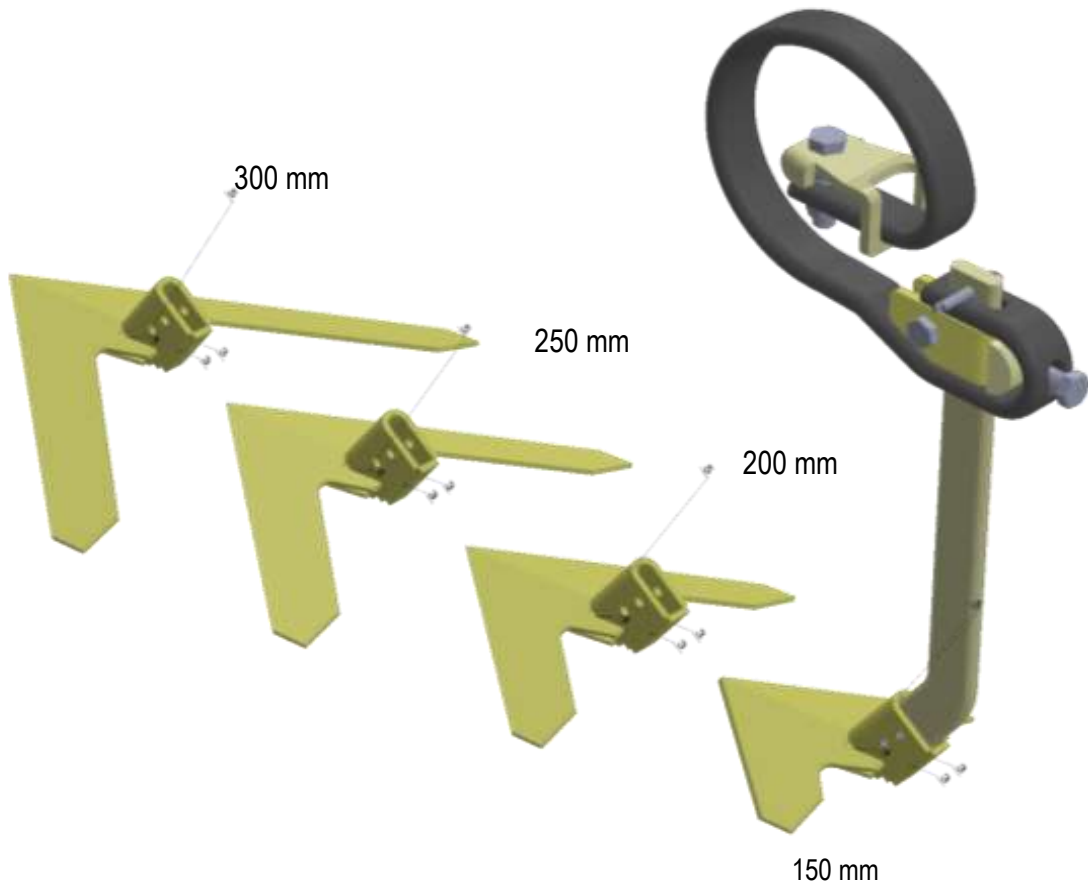
01.029



01.028

Code	Description	Dimensions	Weight
01.027	Cultivator tine	50x30	9,44 Kg.
01.028	Cultivator tine	60x25	8,30 Kg.
01.029	Cultivator tine	70x25	13 Kg.





Code	Description	Dimensions	Weight
AK-A-01	Tine for hoing machine	32x10-12	3,90 Kg.
	Duckfoot for hoing machine	2 mm	





05.013 L



05.013 R

Code	Description	Dimensions	Weight
05.013 R	Triple coil spring right	20x20	4,54 Kg.
05.013 L	Triple coil spring left	20x20	4,54 Kg.





05.014-L



05.014 T



05.014 T



05.014-R

Code	Description	Dimensions	Weight
05.014-L	Double coil tine left	20X20	4,40 Kg.
05.014-R	Double coil tine right	20X20	4,40 Kg.
05.014 T	Helper	20X20	1,63 Kg.





04.006 L

04.006 L

Code	Description	Dimensions	Weight
04.006 L	Disc harrow tine left	90X13	8,10 Kg.
04.006 R	Disc harrow tine right	90X13	8,10 Kg.





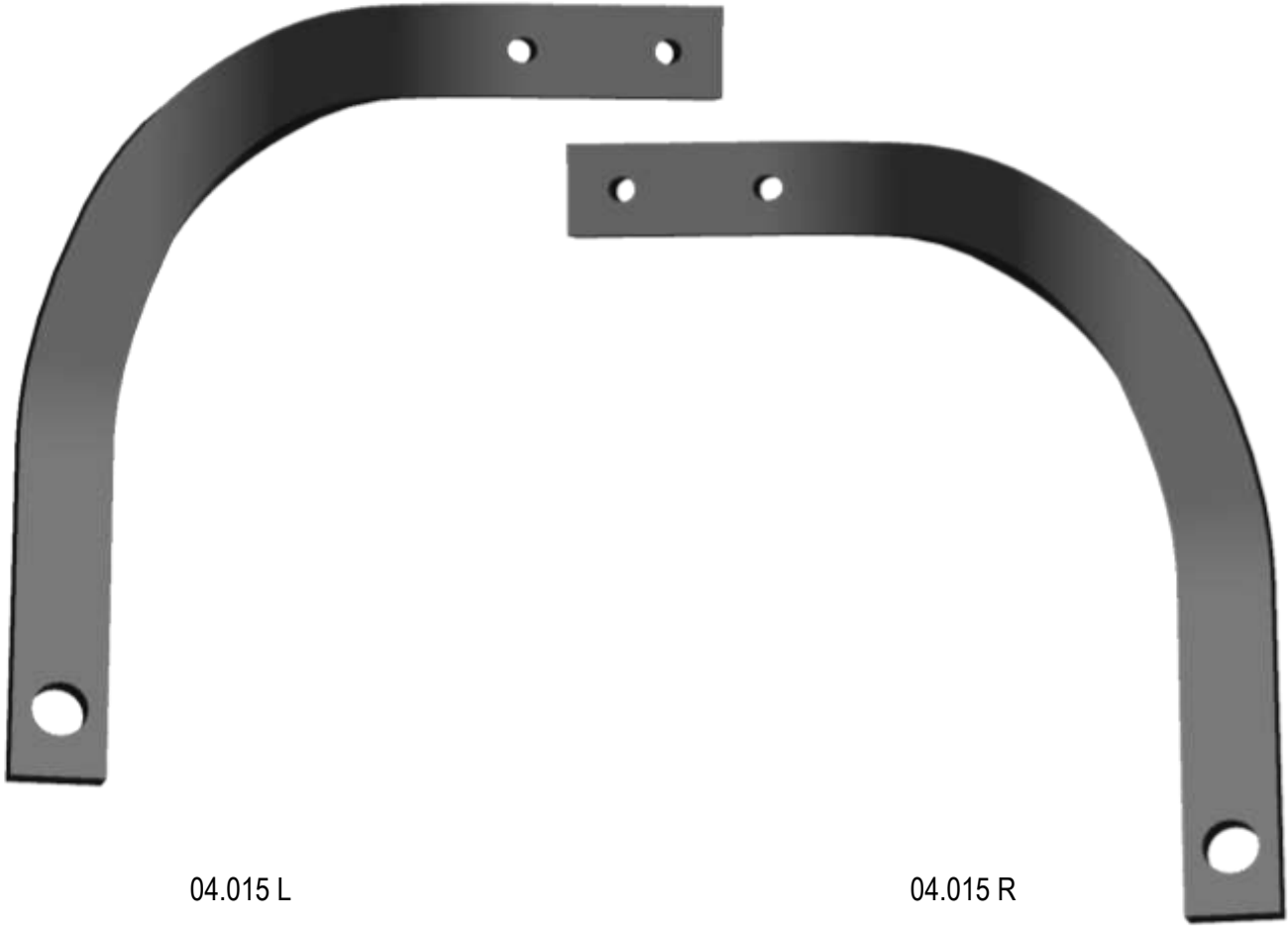
04.007 L



04.007 R

Code	Description	Dimensions	Weight
04.007-L	<i>Disc harrow tine left</i>	50x23	6 Kg.
04.007-R	<i>Disc harrow tine right</i>	50x23	6 Kg.

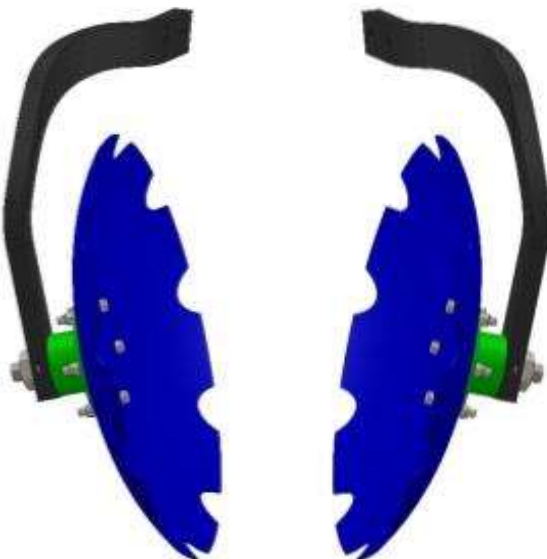


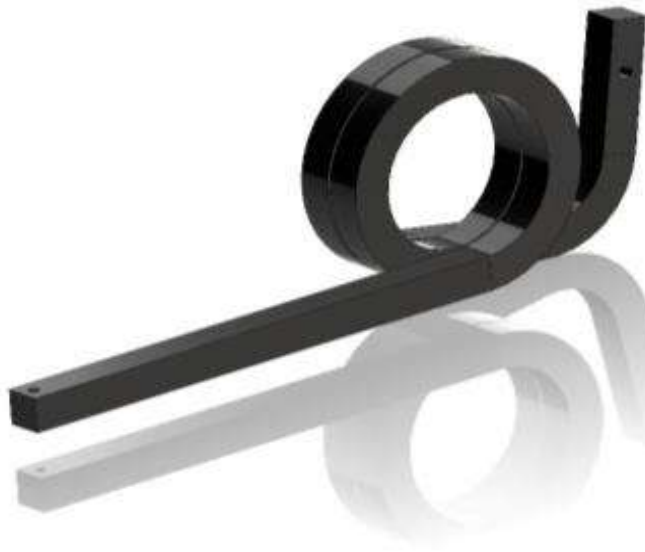


04.015 L

04.015 R

Code	Description	Dimensions	Weight
04.015-L	Disc harrow tine left	60x25	9,12 Kg.
04.015-R	Disc harrow tine right	60x25	9,12 Kg.





05.015 L



05.015 R

Code	Description	Dimensions	Weight
05.015 L	<i>Double coil spring tine left</i>	20x20	3,60 Kg.
05.015 R	<i>Double coil spring tine right</i>	20x20	3,60 Kg.





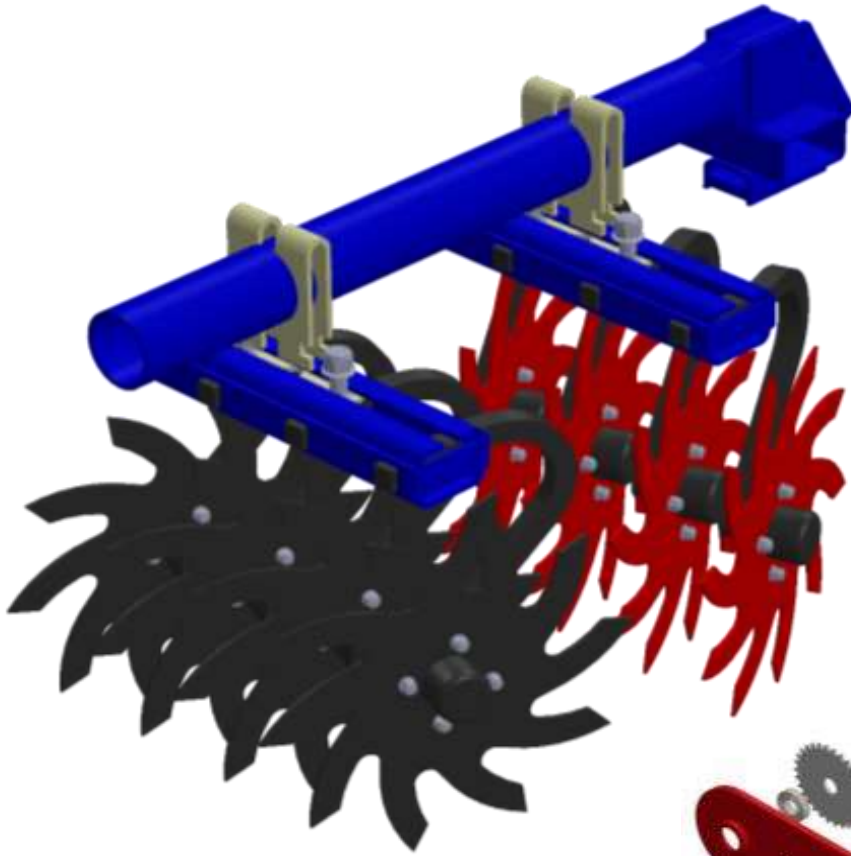
05.016 L



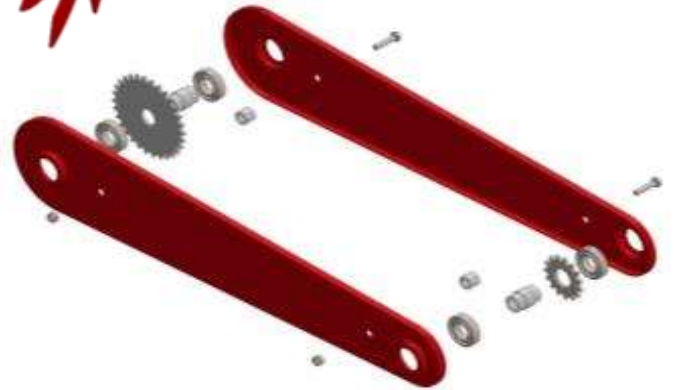
05.016 R

Code	Description	Dimensions	Weight
05.016 L	<i>Double coil spring tine left</i>	20x20	4,80 Kg.
05.016 R	<i>Double coil spring tine right</i>	20x20	4,80 Kg.





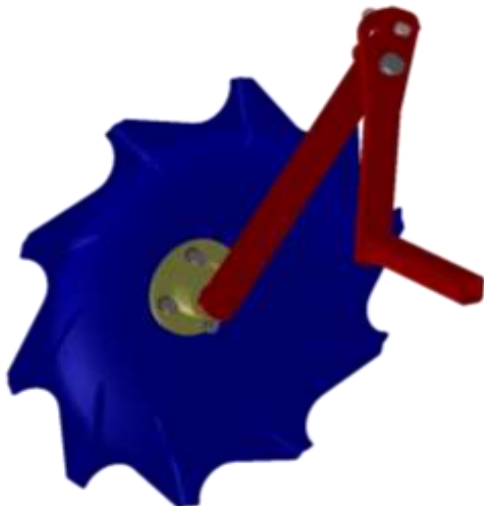
AK-A-03



ZM-01

Code	Description	Dimensions	Weight
AK-A-03	Rotary hoing machine parts		
ZM-01	Chain Housing		

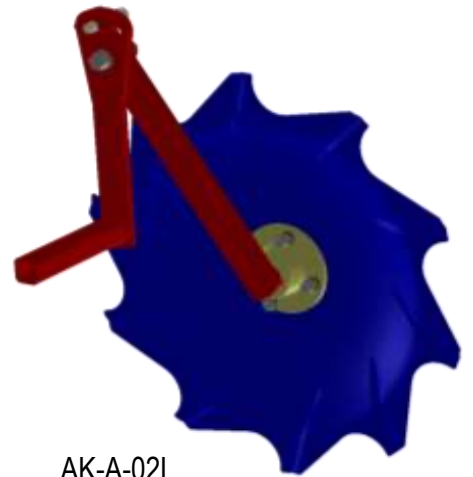




AK-A-02R



AK-A-01-15



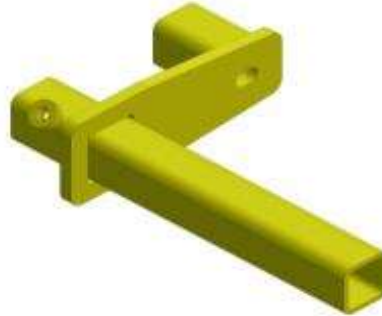
AK-A-02L



AK-A-01-1.00



AK-A-01-3.00



AK-A-04-1.00



AK-A-04-2.00

Code	Description	Dimensions	Weight
AK-A-02R	Protection disc right	2 mm	6,35 Kg.
AK-A-02L	Protection disc right	2 mm	6,35 Kg.
AK-A-01-1.00	Holder for tine	40x40x4x230	0,97 Kg.
AK-A-01-3.00	Clamp for holder	50x50x3x34,5	0,172 Kg.
AK-A-04-1.00	Holder for protection disc	40x40x4x300	2,3 Kg.
AK-A-01-15	S tine	32x10	2,7 Kg.
AK-A-04-2.00	Frame for wheel		3,04 Kg.





01.010

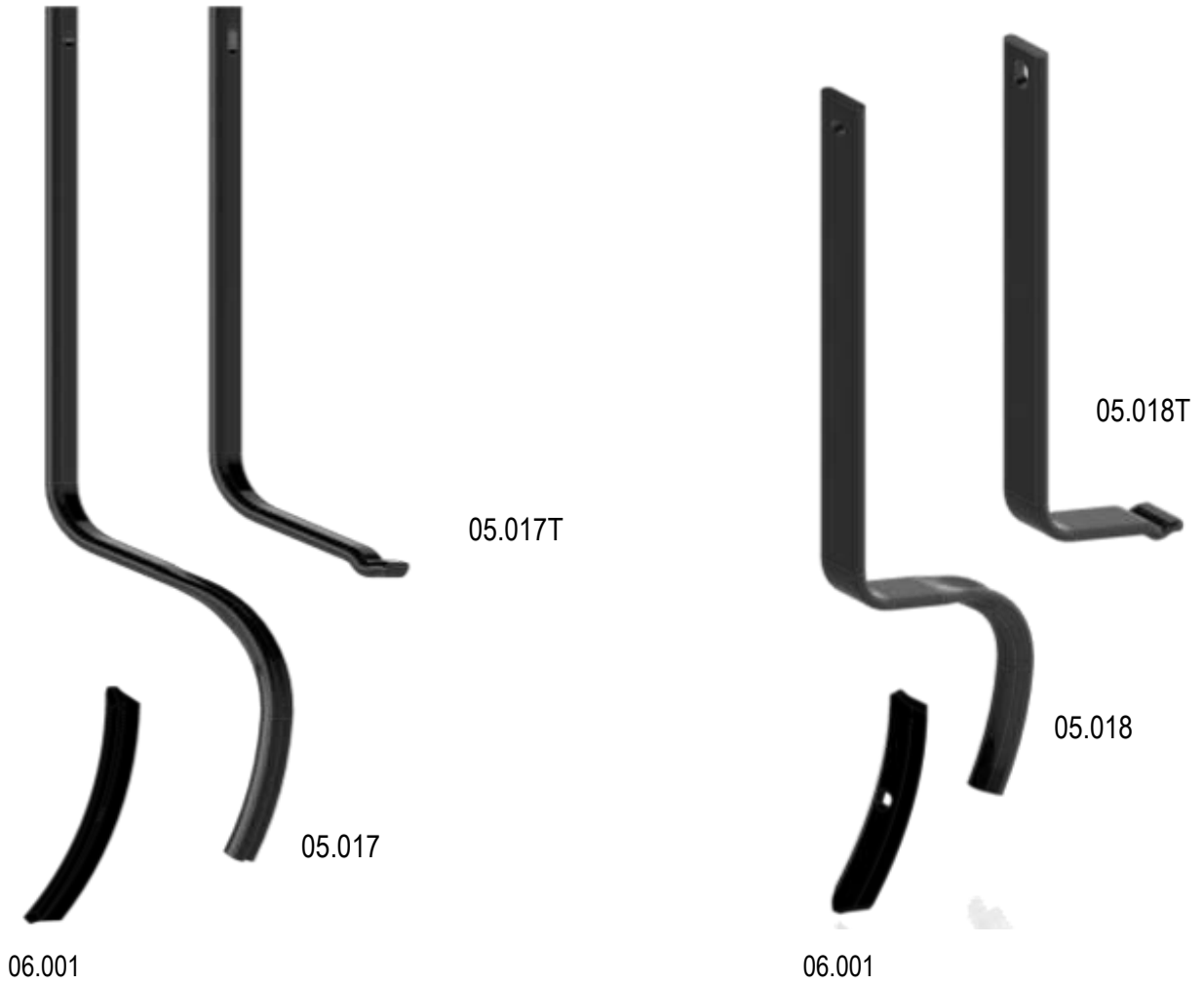
AK-C-01



02.004

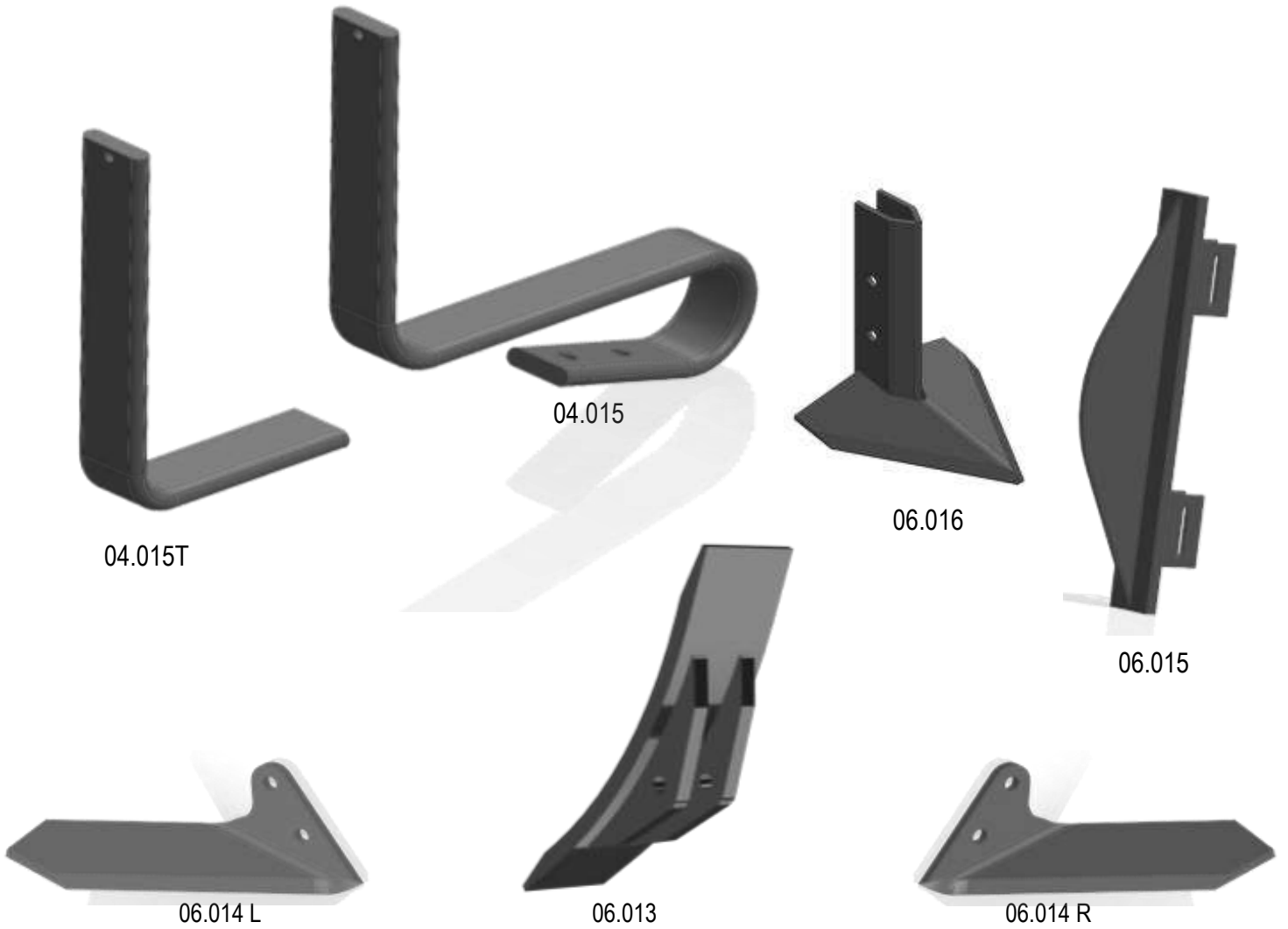
Code	Description	Dimensions	Weight
01.010	C type tine	50x20	8,40 Kg.
02.004	Track remover without point	30x30	4,72 Kg.
AK-C-01	Delta shank	t:25	40 Kg.





05.017	<i>Track remover without point</i>	32x12	2 Kg.
05.017T	<i>Helper</i>	32x12	1,38 Kg.
05.018	<i>Track remover without point</i>	40x10	2,4 Kg.
05.018T	<i>Helper</i>	40x10	1,76 Kg.
06.001	<i>Point</i>	40x6	0,34 Kg.





04.015	<i>leaf spring for seeder wheels</i>	50x13	3,71 Kg.
04.015T	<i>leaf spring's helper for seeder wheels</i>	50x13	2,15 Kg.
06.013	<i>Chiesel point</i>	65x14	3,06 Kg.
06.014R-L	<i>Left and right wing point</i>	10 mm.	2,34 Kg.
06.015	<i>Front knife</i>	6 mm.	2,98 Kg.
06.016	<i>Point for cotton interrow cultivator</i>	8 mm	3,4 Kg.





MA-00.01



MA-00.03



MA-00.02

Code	Description	Dimensions	Weight
MA-00.01	Animal Plough		
MA-00.02	Animal Plough		
MA-00.03	Animal Plough		





665-3



04.016



04.017



03.018



03.017

Code	Description	Dimensions	Weight
665-3	Implement-side triangle for Cat. I, Cat. II and Cat. LII	NPU80	14 Kg.
04.016	Spring (P07834 simba great plains)	100x10	3,94 Kg.
03.018	Point	63x15x280	1,98 Kg.
03.017	Point	60x10x260	1,16 Kg.
04.017	Spring	50x13x475	2,22 Kg.





04.018



04.019



03.016



04.020



04.021



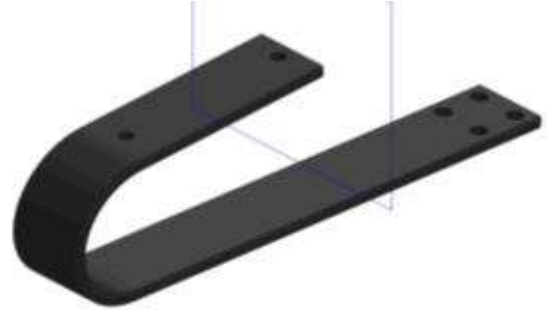
04.022

Code	Description	Dimensions	Weight
04.020	Outer tine (Marsk-Stig) 01010041	35x10	2,15 Kg.
03.016	Clamp with bolts 01010101	t:10	0,9 Kg.
04.021	Inner tine (Marsk-Stig) 01010042	32x10	1,82 Kg.
04.019	Reinforcing spring (warsila)	60x10	2,93 Kg.
04.018	Reinforcing spring helper(warsila)	60x10	1,96 Kg.
04.022	Lower part	25x10	0,76 Kg.





04.023



04.024

Code	Description	Dimensions	Weight
04.023	Hay tine	80x20	11,160 Kg.
04.024	Hay tine(310401)	70x12	5,52 Kg.

